

AUKI 

Hee Welling | 2015





AUKI

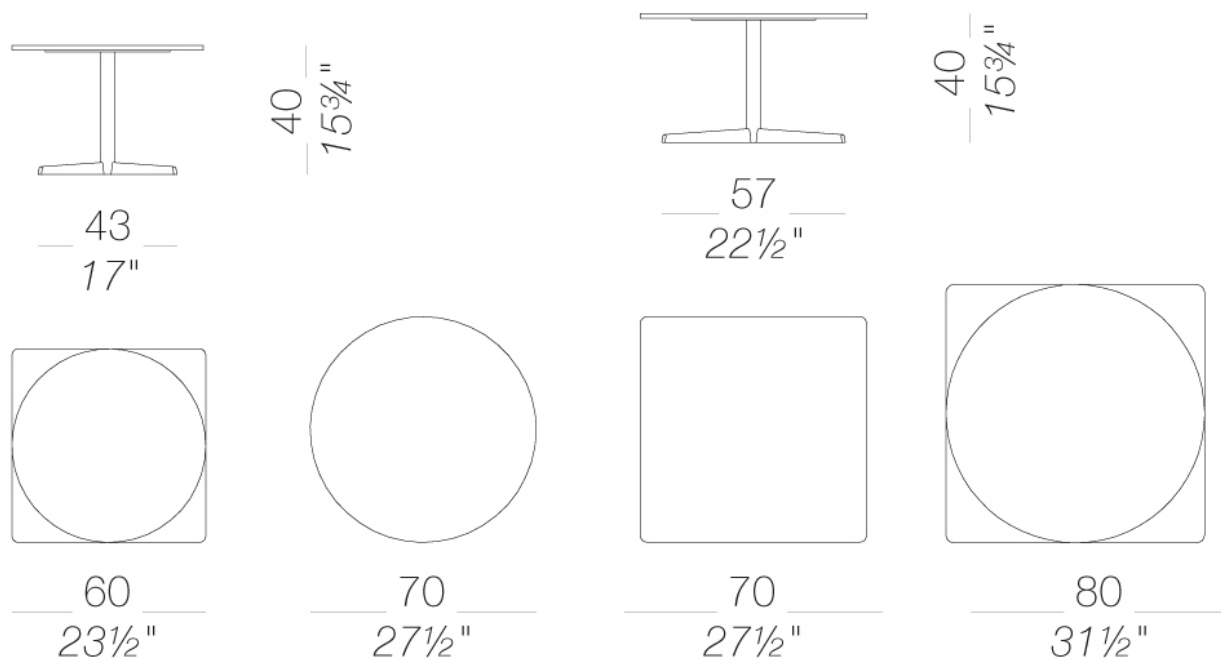
Hee Welling | 2015

As the star base suggests, AUKI deploys its energy to four corners of the planet. It is almost like a compass that navigates in a sea of encounters. And in every outdoor setting, this table, also in a side table version, is an essential element of elegance and versatility.



H40 | outdoor coffee table With star-shaped base Ø60 60x60 | Ø80 80x80

Outdoor coffee table with star base and top fixing plate in aluminium, column in stainless steel 304, all powder coated polyester. Glides in polythene. Table top in HPL Fenix® 10 mm.

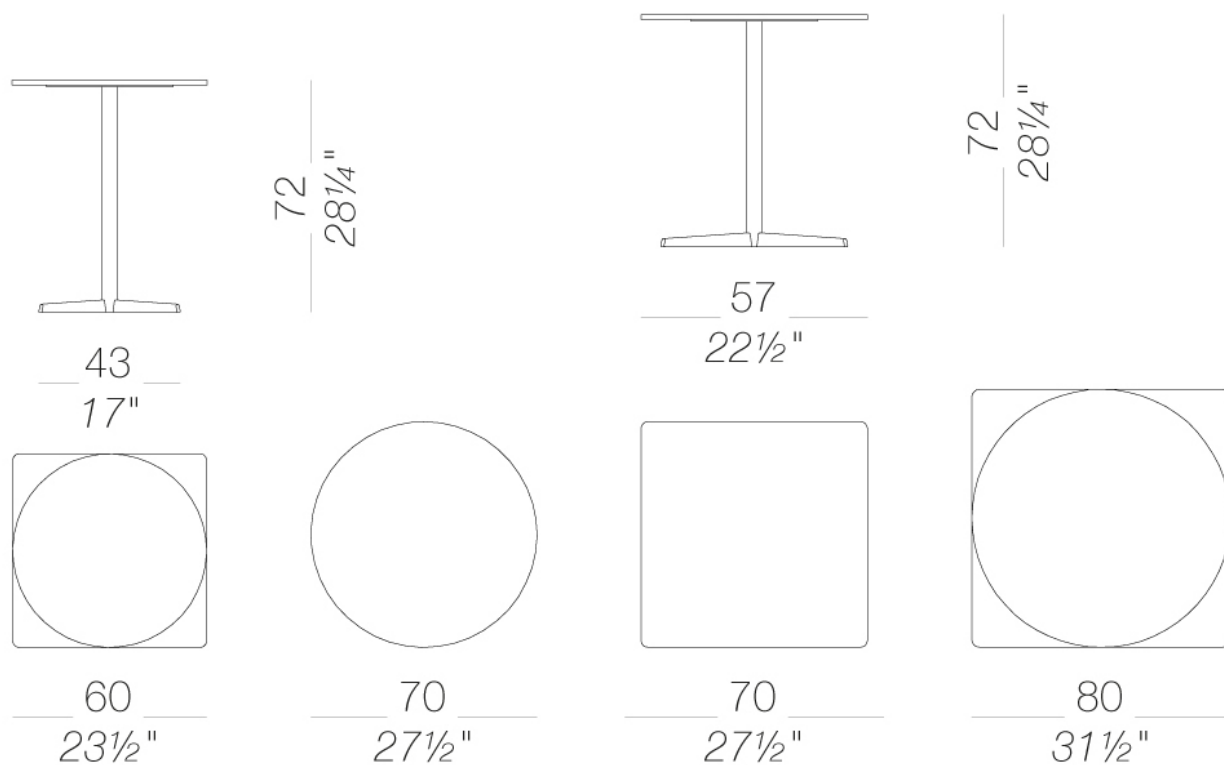


AUKI

Hee Welling | 2015

H72 | outdoor table star-shaped base Ø60 60x60 | Ø80 80x80 ☀️

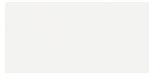
Table with 4 star die cast aluminium base and column in stainless steel 304 powder coated polyester. Feet in polythene. Tops in HPL Fenix® 10 mm.



frame



powder coating
black
1 Colors



powder coating
white
1 Colors

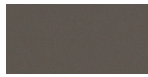
top



HPL 10 mm
black HPL fenix
1 Colors



HPL 10 mm
white HPL fenix
1 Colors



HPL 10 mm
HPL fenix grigio
Londra
1 Colors



HPL 10 mm
HPL fenix rosso
Jaipur
1 Colors



HPL 10 mm
HPL H406
1 Colors

consult the folder of materials for the range of colors

use and maintenance instructions

Plastic materials, even if intended for outdoor use, may still be attacked over time by particular atmospheric pollutants (e.g. acid rain, high concentration of PM10, nitrogen oxides, hydrocarbons, etc.). Any changes in the surface and in colours may therefore occur under particular conditions of exposure and cannot be considered grounds for any claims.

Do not use detergents containing bleach, hydrochloric acid or products containing chloride on any metal parts. Salt, limescale or acid (from coffee, wine, orange juice, tomato juice, lemon, etc.) may discolour stainless steel parts if they are not promptly cleaned. Products or parts made of stainless steel used near the sea or in interior fittings of swimming pools require more frequent cleaning to remove chloride deposits and prevent corrosion and chemical attack of the external surface. Stains on stainless steel surfaces must be promptly cleaned. If left for a long time they can become permanent.

To prolong the life of the product, clean the surfaces regularly, dry them with a clean cloth and remove any stagnant water, especially if exposed in locations with a high level of humidity or a marine climate.

When not in use, we recommend storing in sheltered places and covering with waterproof protection. In this case, it is advisable to remove the cover and ventilate the product frequently and regularly to avoid the onset of any mould or stains due to damp.

THE WARRANTY WILL NOT COVER DEFECTS OR IMPERFECTIONS RESULTING FROM THE PASSAGE OF TIME OR TO WEAR AND TEAR DUE TO THE NORMAL USE OF THE PRODUCT.