



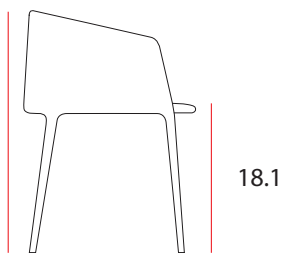
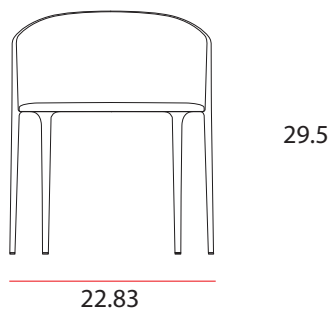
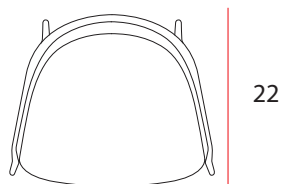
# achille chair / armchair jean marie massaoud

materials:

Frame made of metal tubing, foamed with polyurethane rubbers, upholstered with fabric. The upholstery, fully removable, can be made with the following fabrics: Manila, Londra, York or in MDF leather. The upholstery in high-quality MDF Italia leather, comes in a wide choice of colours. The fabric Manila, with TEFLON anti-stain treatment, also comes in a wide variety of colours.

dimensions:

armchair



chair

