



bikappa bartoli studio

More than minimalist, with an almost two-dimensional look, the Bikappa chair fills space with its elegant and light shape. Its back and seat are formed from a single sheet of injection-moulded polypropylene in three basic colors: white, black, or red. Its sides form its structure in polished pressure die-cast aluminium, with a striking color contrast, or in the same color as the back and seat for those who want a totally minimalist effect.

materials:

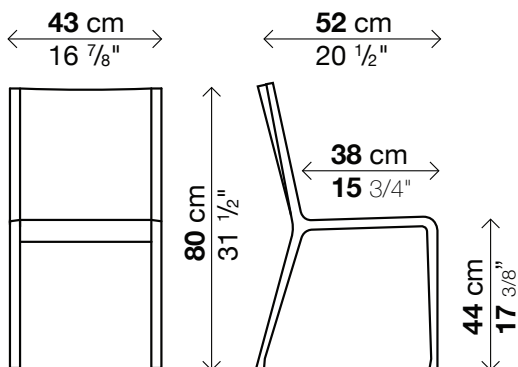
metal finish:

polished aluminum or lacquered aluminum white, black or red.

body finish:

white, red, or black polypropylene.

dimensions:



223 west erie street,
chicago, il., 60610
t: 312 335 1033 f: 312 335 1025
info@orangeskin.com
www.orangeskin.com