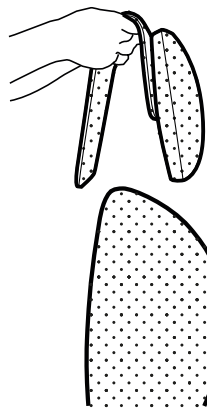
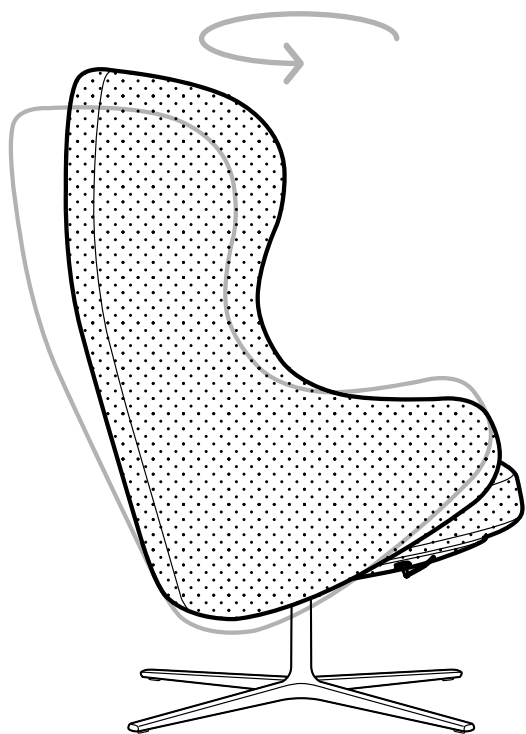


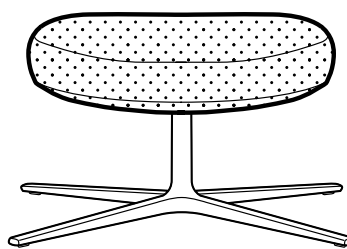
**DUA**  
**Info**



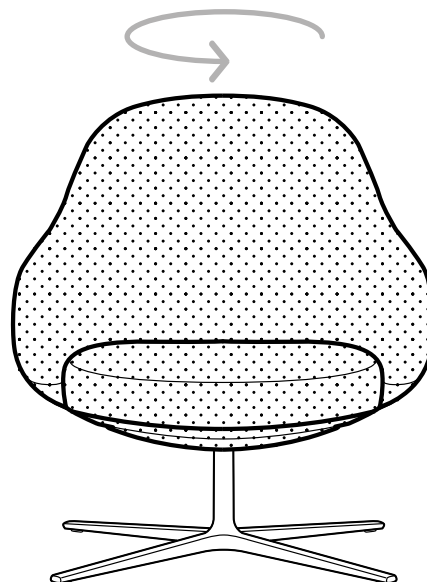
Removable headrest



Relax



Ottoman



Lounge

# DUA

## Relax - Swivel trestle with self-weighting mechanism

### Base finish:

Polished aluminium

"Exclusive" lacquered aluminium (Brown, Champagne, Onyx black, Space gray)

### Finish of cover:

A = Alveo, Biacco, Valencia (synthetic leather), COM (Customer fabric)

B = Borgo, Field 2, Greto, Merit, Stipa, COL (Customer leather)

C = Parigi, Patio, Remix 3, Vello, Verso

D = Canvas 2, Hero 2, Orsetto, Scuba, Steelcut Trio 3

E = Divina Melange 3, RePo 3D

F = Hallingdal 65, Moss, Uniform Melange

L2 = Neocoast (corrected grain leather)

L3 = Elmosoft (semi-aniline leather)

### Note:

For COM/COL orders, see inside cover.

For info on fabric composition, see inside cover.

Seat upholstered in NON-REMOVABLE fabric.

### FEET:

Standard with felt insert for wooden floors.

COM consumption: 0,55 ml (H. 140 cm).

COL consumption: 0,7 mq.

Fire retardant treatments available on request, please contact the sales office.

Reinforced packaging, see inside cover.

### Without return mechanism

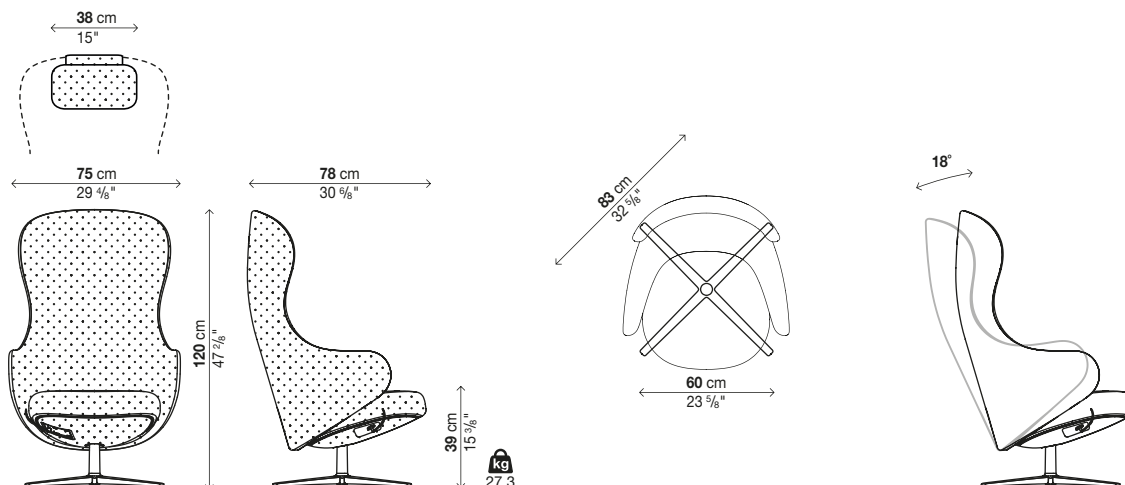
Code	Base	Cover								pack	m <sup>3</sup>	Kg	
		A	B	C	D	E	F	L2	L3				
<b>05DUA62</b>	Lacquered aluminium "Exclusive", Polished aluminium										1	0,98	42

### With return mechanism

Code	Base	Cover								pack	m <sup>3</sup>	Kg	
		A	B	C	D	E	F	L2	L3				
<b>05DUA64</b>	Lacquered aluminium "Exclusive", Polished aluminium										1	0,98	42

### Optional

Codice	Description	Cover								pack	m <sup>3</sup>	Kg	
		A	B	C	D	E	F	L2	L3				
<b>20DUA01</b>	Removable headrest										1	0,01	1



# DUA

## Lounge - Swivel trestle

### Base finish:

Polished aluminium

"Exclusive" lacquered aluminium (Brown, Champagne, Onyx black, Space gray)

### Finish of cover:

A = Alveo, Biacco, Valencia (synthetic leather), COM (Customer fabric)

B = Borgo, Field 2, Greto, Merit, Stipa, COL (Customer leather)

C = Parigi, Patio, Remix 3, Vello, Verso

D = Canvas 2, Hero 2, Orsetto, Scuba, Steelcut Trio 3

E = Divina Melange 3, RePo 3D

F = Hallingdal 65, Moss, Uniform Melange

L2 = Neocoast (corrected grain leather)

L3 = Elmosoft (semi-aniline leather)

### Note:

For COM/COL orders, see inside cover.

For info on fabric composition, see inside cover.

Seat upholstered in NON-REMOVABLE fabric.

### FEET:

Standard with felt insert for wooden floors.

COM consumption: 2,8 ml (H. 140 cm).

COL consumption: 5 mq.

Fire retardant treatments available on request, please contact the sales office.

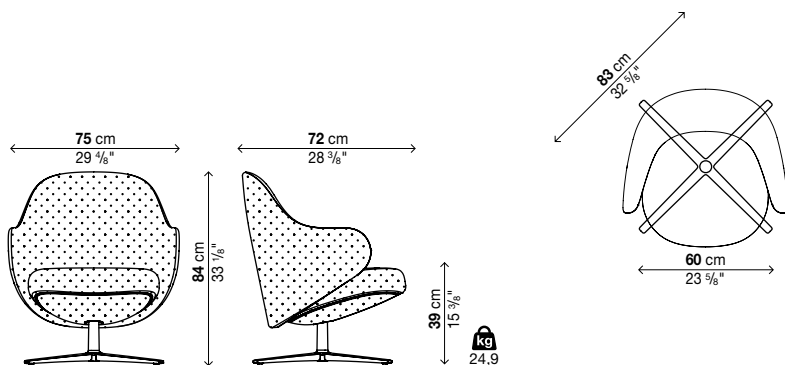
Reinforced packaging, see inside cover.

### Without return mechanism

Code	Base	Cover								pack	m <sup>2</sup>	Kg
		A	B	C	D	E	F	L2	L3			
<b>05DUA61</b>	Lacquered aluminium "Exclusive", Polished aluminium									1	0,7	39

### With return mechanism

Code	Base	Cover								pack	m <sup>2</sup>	Kg
		A	B	C	D	E	F	L2	L3			
<b>05DUA63</b>	Lacquered aluminium "Exclusive", Polished aluminium									1	0,7	39



# DUA

## Ottoman

### Base finish:

Polished aluminium

"Exclusive" lacquered aluminium (Brown, Champagne, Onyx black, Space gray)

### Finish of cover:

A = Alveo, Biacco, Valencia (synthetic leather), COM (Customer fabric)

B = Borgo, Field 2, Greto, Merit, Stipa, COL (Customer leather)

C = Parigi, Patio, Remix 3, Vello, Verso

D = Canvas 2, Hero 2, Orsetto, Scuba, Steelcut Trio 3

E = Divina Melange 3, RePo 3D

F = Hallingdal 65, Moss, Uniform Melange

L2 = Neocoast (corrected grain leather)

L3 = Elmosoft (semi-aniline leather)

### Note:

For COM/COL orders, see inside cover.

For info on fabric composition, see inside cover.

Seat upholstered in NON-REMOVABLE fabric.

### FEET:

Standard with felt insert for wooden floors.

COM consumption: 1,1 ml (H. 140 cm).

COL consumption: 1,8 mq.

Fire retardant treatments available on request, please contact the sales office.

Reinforced packaging, see inside cover.

Code	Base	Cover								pack	m <sup>3</sup>	Kg	
		A	B	C	D	E	F	L2	L3				
05DUA60	Lacquered aluminium "Exclusive", Polished aluminium										1	0,18	14

