

# JAZZ

Giuseppe Bavuso | 2022



# JAZZ

Giuseppe Bavuso | 2022

Miles Davis used to say that it was useless playing all the notes when you can play only the best ones. And this idea of economy of sound and ingenious choice of every vibration is the inspiration behind the JAZZ bookcase, designed by Giuseppe Bavuso, the new art director at Lapalma. A light, linear and yet very powerful harmony, marked by that apparent spontaneity which is a distinctive feature of the most outstanding jazz performances. And just as music develops from a theme, evolving into variations, this bookcase stems from a deep base, of different lengths, from which supporting elements emerge and which, in turn, interlock with other surfaces and replicate an imaginary staff. A musical score that defines and keeps all contexts fluid, JAZZ, from the office to the home. The only note that Lapalma never leaves to improvisation is the sustainability of each project. This bookcase, consisting of die-cast aluminium uprights, wood agglomerate shelves and concealed steel joints, is also completely recyclable. The future holds a good rhythm.

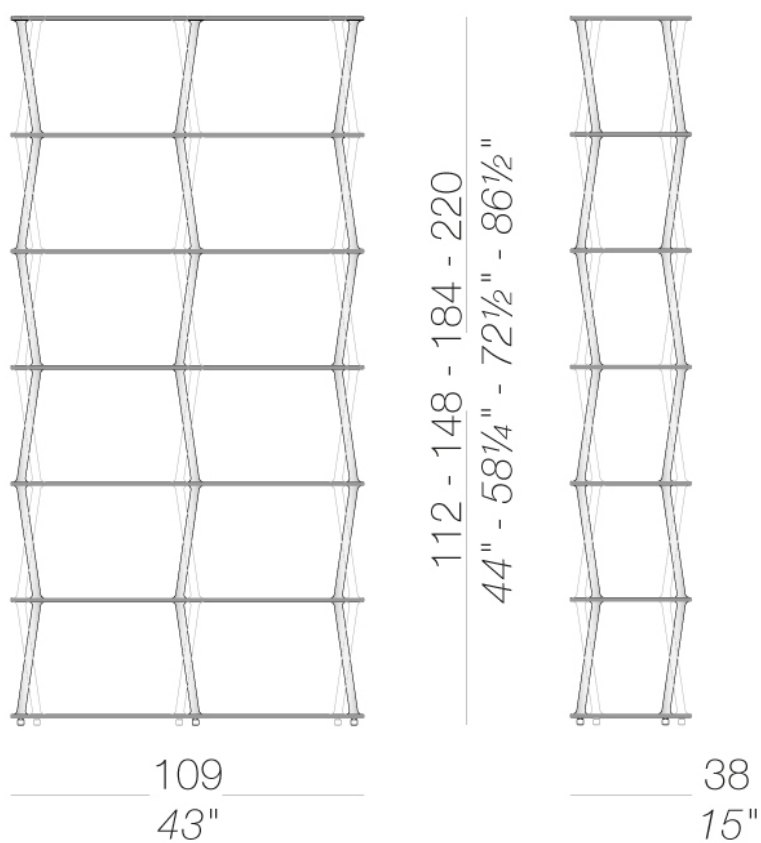
# JAZZ

Giuseppe Bavuso | 2022

## | bookcase two-column configuration

Modular shelving system comprising shelves in MDF and HPL laminate with lacquered finish. Uprights are die cast aluminium with powder coated finish. Adjustable metal feet with floor fixing for stability.

Strength of the structure EN 16122:2012 + AC:2015, clause 6.4.1



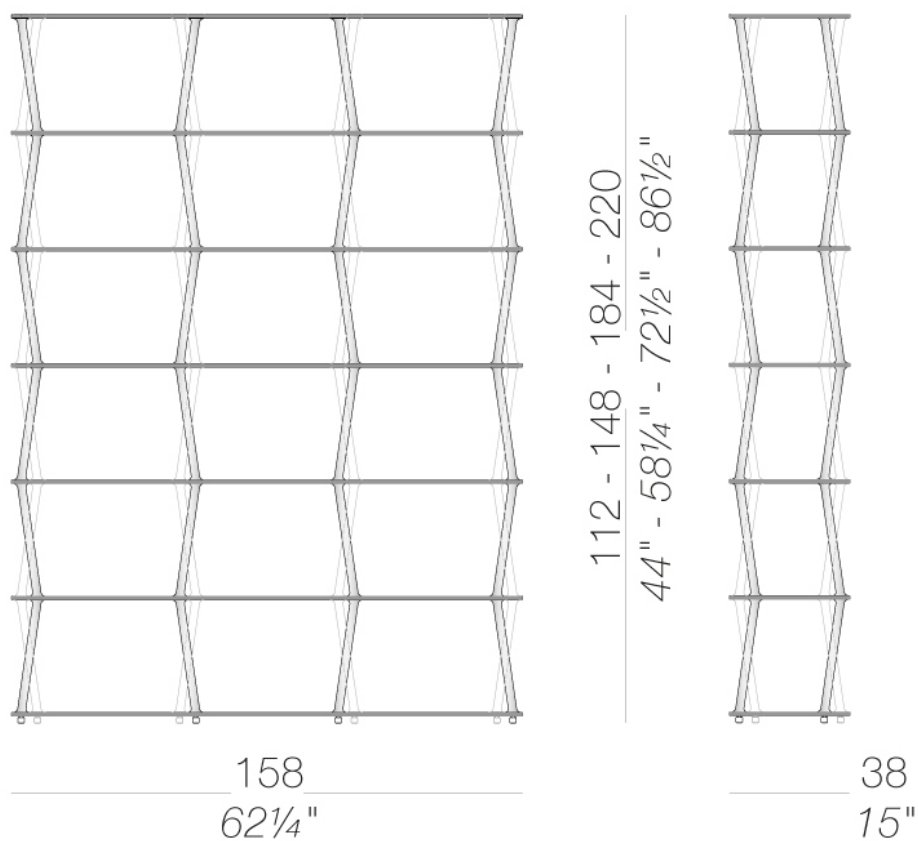
# JAZZ

Giuseppe Bavuso | 2022

## | bookcase three-column configuration

Modular shelving system comprising shelves in MDF and HPL laminate with lacquered finish. Uprights are die cast aluminium with powder coated finish. Adjustable metal feet with floor fixing for stability.

Strength of the structure EN 16122:2012 + AC:2015, clause 6.4.1



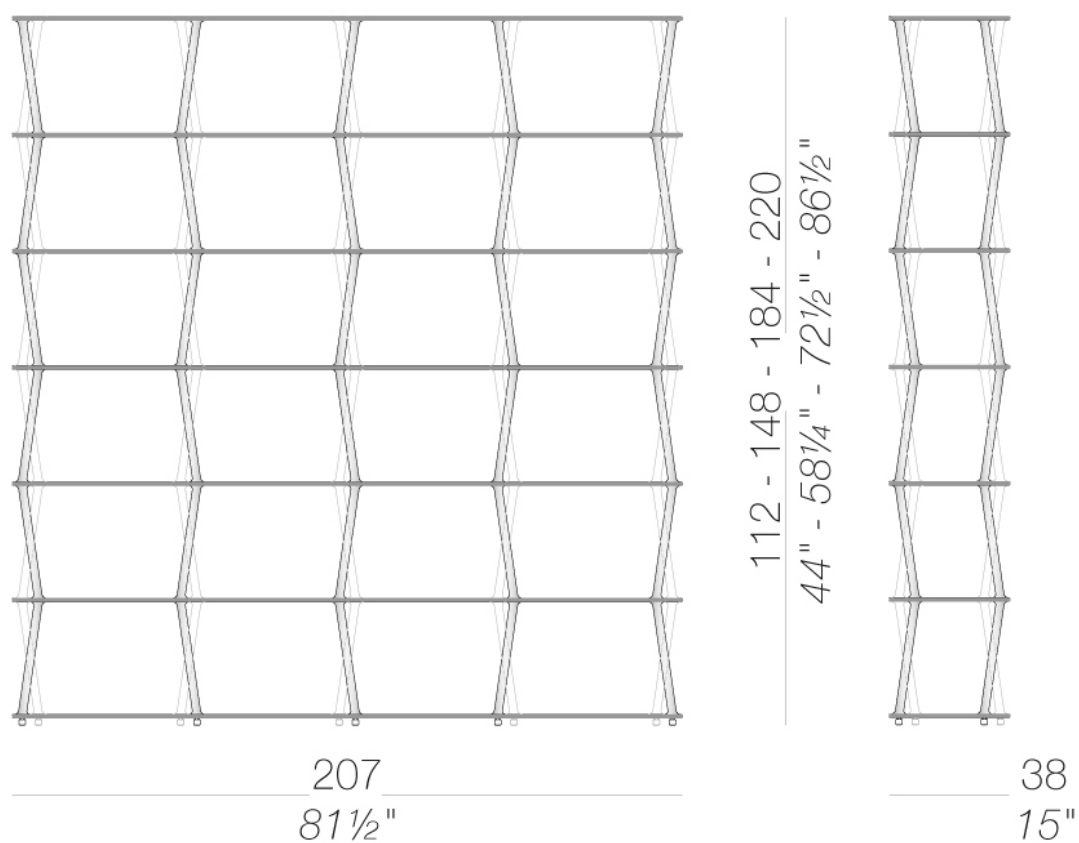
# JAZZ

Giuseppe Bavuso | 2022

## | bookcase four-column configuration

Modular shelving system comprising shelves in MDF and HPL laminate with lacquered finish. Uprights are die cast aluminium with powder coated finish. Adjustable metal feet with floor fixing for stability.

Strength of the structure EN 16122:2012 + AC:2015, clause 6.4.1



# JAZZ

Giuseppe Bavuso | 2022

## frame



powder coating  
black  
1 Colors



powder coating  
white  
1 Colors

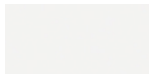


powder coating  
peltro  
1 Colors

## shelves



lacquered  
black lacquered  
1 Colors



lacquered  
white lacquered  
1 Colors



lacquered  
peltro lacquered  
1 Colors

**consult the portfolio for the range of colors, fabrics, eco-leather, soft-leather.**

### use and maintenance instructions

Clean all parts in wood, leather, fabric and metal with a damp cloth or a diluted neutral cleaner. Do not use cleaners with alcohol, bleach, solvent or abrasive products. Any liquid spilt on the product must be wiped up immediately. When lifting or moving the product, hold it on the structure and not under the seat. The product should not be subjected to unbalanced weights, as it is designed for a proper rest on the foothold (on four legs or on the base). Our company relieves from any responsibility in case of damage caused to fragile floors. Avoid any improper use of the product: do not step on the product, on the footrest or on the armrests. Avoid any movements that could compromise the proper functionality of the product or the safety of the users. Wood and leather, being natural materials, could be easily damaged. Small impurities or imperfections are within quality standard range. Do not expose the product to weather conditions or atmospheric agents, nor to heat sources over 40°C. Also products for outdoor use could be afflicted by atmospheric agents. The product could undergo possible exterior changes due to particular exposure to heat, humidity and saltiness. An appropriate and frequent maintenance and cleaning of the product enhances its durability. The product could change colour and shade, if exposed to direct sunlight. Maintenance has to be carried out by experienced staff. Dispose of the package only after assembling the product, in order to avoid the loss of ironmongery and components. Once the product has been dismantled, the product itself or its components must be given to the public garbage disposal system, according to the legislation in force.