

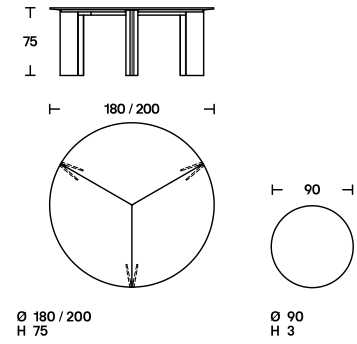
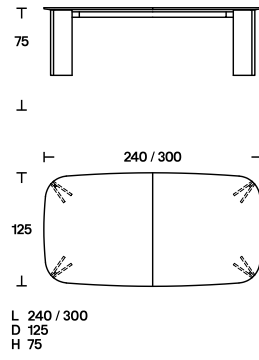
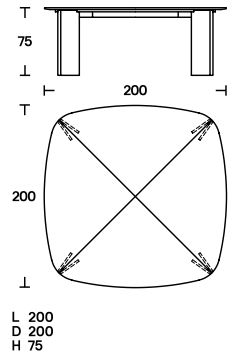


Maxwell

Year
Designer

2014
Massimo Castagna

A simple shape enhances the exceptional personality of the special stone finishes that completely cover the internal steel frame, rendering it invisible. The grains in the marble, the varying shades of colors, and the mosaic of minerals – the result of the millenary process of the metamorphosis of the stone – are skillfully brought to light in all their beauty. The stone table top's rounded corners and slightly tapered edge, in contrast with the distinctly linear and angled legs, imbue the table with an elegant lightness, and is emblematic of Massimo Castagna's approach to materials and innovative designs.

Dimensions**Finishes**

Top and base: matt or glossy white arabesque marble, Levanto red marble, Alpi Green marble.
Glossy polyester finishing available on request.

Frame, inner legs and top support in slate grey finish.

Top and base

Finishes legend

Matt white arabesque marble	MR02
Matt Levanto red marble	MR06
Matt Alpi Green marble	MR07
