

# MIUNN

Karri Monni | 2011

When minimalism embraces. It involves technology and the 3D processing of a wood sheet. It involves a hand that designs, thinking of itself, of the palm that holds water and sand. The result is the sinuous MIUNN, with its embracing seat and perfect support for the back. Available in a chair or stool version, it comes in different heights. Peacefully, just as it was designed.



# MIUNN

Karri Monni | 2011

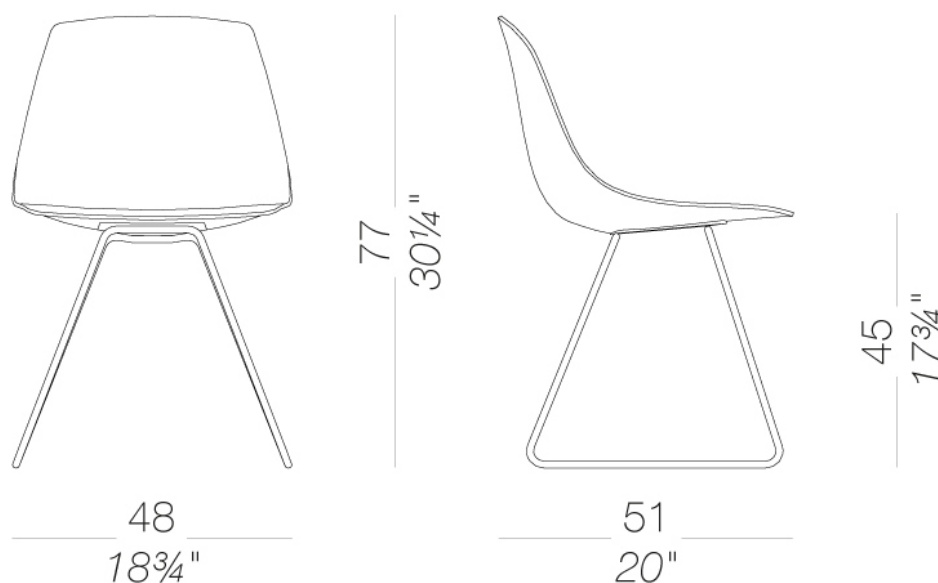


## | S160 slide-frame base

Chair with sled base in mat chromed steel or powder coated. Shell in 3D moulded plywood in several finishes, or in Baydur® fire retardant polyurethane white or black or fully upholstered with fabric or leather. Glides in polythene. It is complemented by a stool in two heights or height adjustable.

TEST EN 1728:2012 AC:2013 6.17 - EN 16139:2013 - L2 extreme

TEST 1 IM - Hallingdal



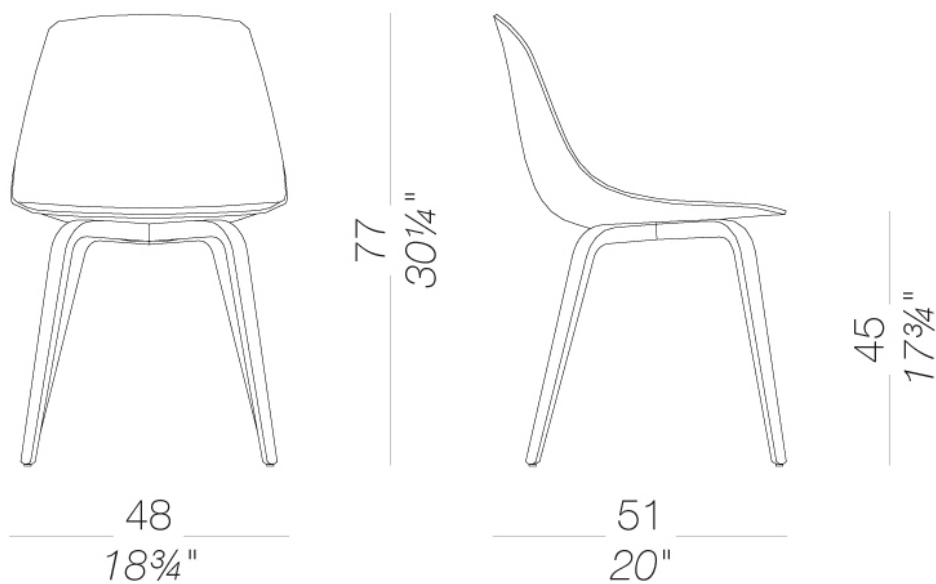
# MIUNN

Karri Monni | 2011

## | S164 With four wood legs

Chair with plywood legs and shell in 3D moulded plywood in several finishes, or in Baydur® fire retardant polyurethane white or black or fully upholstered with fabric or leather. Glides in nylon with felt. It is complemented by a stool in two heights or height adjustable.

TEST 1 IM - Hallingdal



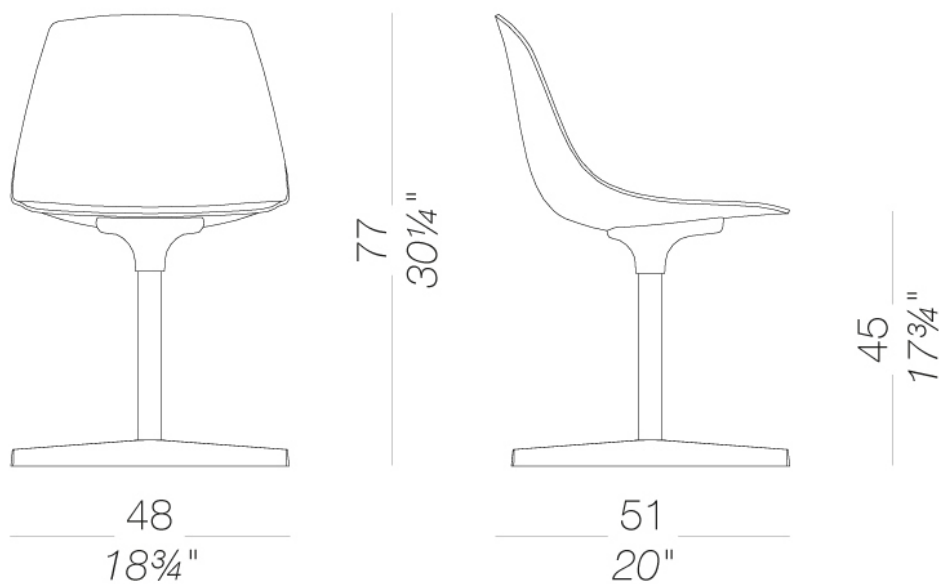
# MIUNN

Karri Monni | 2011

## | S162 Star-shaped swivel base

Chair with swivel star base in sandblasted aluminium or powder coated. Shell in 3D moulded plywood in several finishes, or in Baydur® fire retardant polyurethane white or black or fully upholstered with fabric or leather. Glides in polythene. It is complemented by a stool in two heights or height adjustable.

TEST 1 IM - Hallingdal



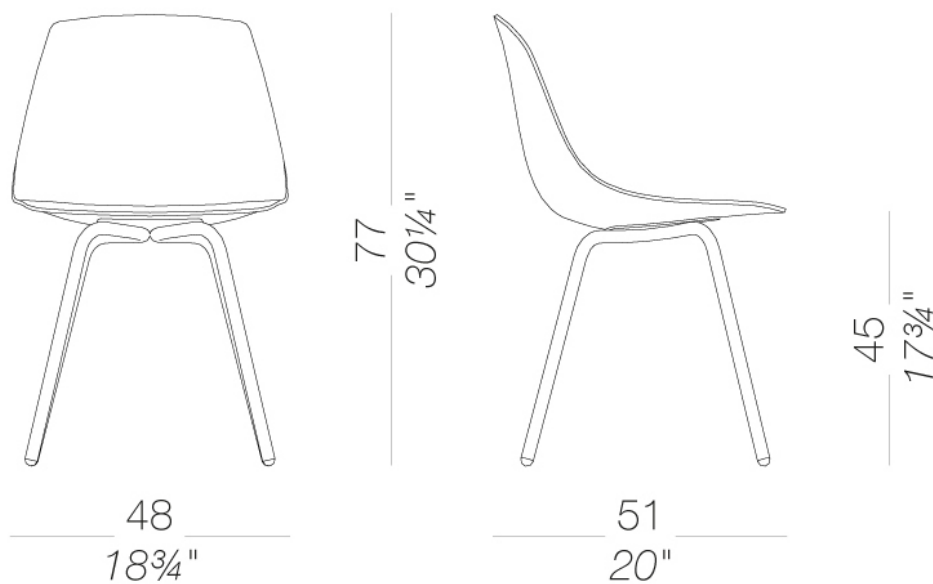
# MIUNN

Karri Monni | 2011

## | S161 4-legged

Chair with four legged base in mat chromed steel or powder coated. Shell in 3D moulded plywood in several finishes, or in Baydur® fire retardant polyurethane white or black or fully upholstered with fabric or leather. Glides in polythene. It is complemented by a stool in two heights or height adjustable.

TEST 1 IM - Hallingdal



# MIUNN

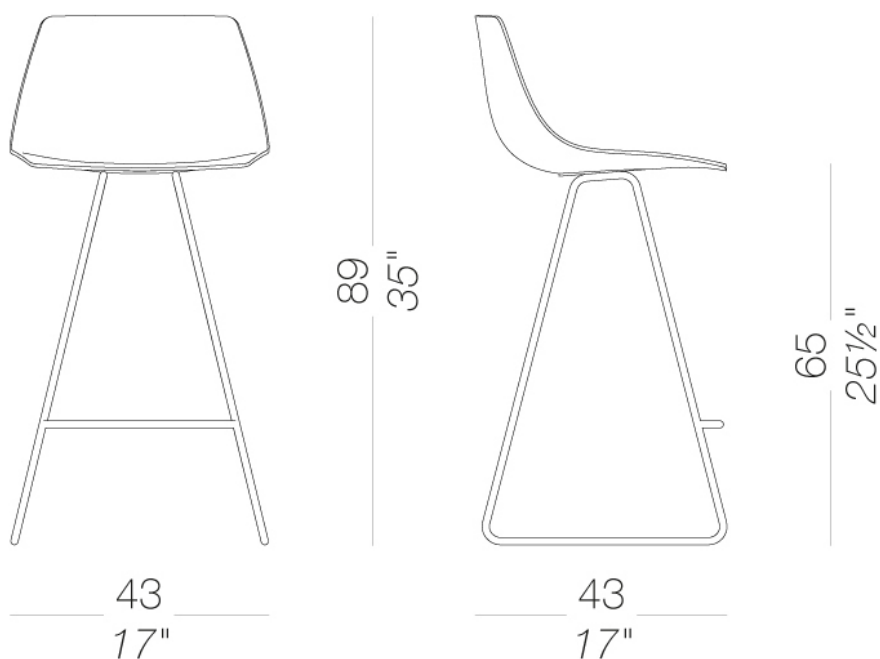
Karri Monni | 2011

## | S104\_65 counter stool with slide-frame base H65

Stool h.65 cm. with sled base in steel rod either mat chromed or powder coated. Seat formed of a single shell using 3D plywood moulding technology in several wood finishes, or in fire-retardant Baydur® polyurethane white or black lacquered or totally upholstered with fabric, leather or eco-leather. Glides in polypropylene with insert in felt or plastic.

TEST EN 1728:2012 AC:2013 6.4-6.5 - EN 16139:2013 - L2 extreme

TEST 1 IM - Hallingdal



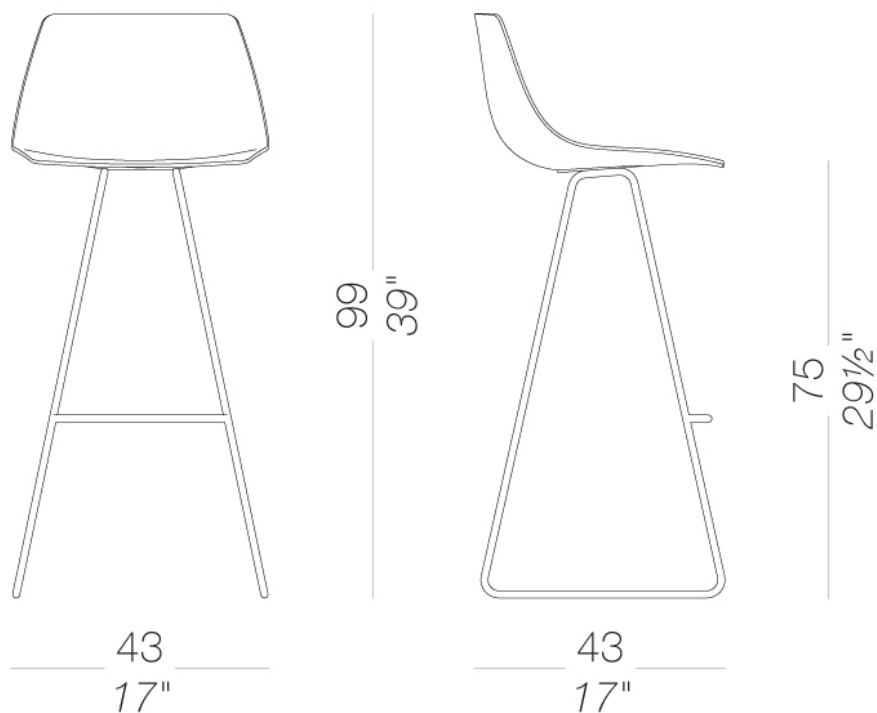
# MIUNN

Karri Monni | 2011

## | S104\_75 bar stool with slide-frame base H75

Stool h.75 cm. with sled base in steel rod either mat chromed or powder coated. Seat formed of a single shell using 3D plywood moulding technology in several wood finishes, or in fire-retardant Baydur® polyurethane white or black lacquered or totally upholstered with fabric, leather or eco-leather. Glides in polypropylene with insert in felt or plastic.

TEST 1 IM - Hallingdal



# MIUNN

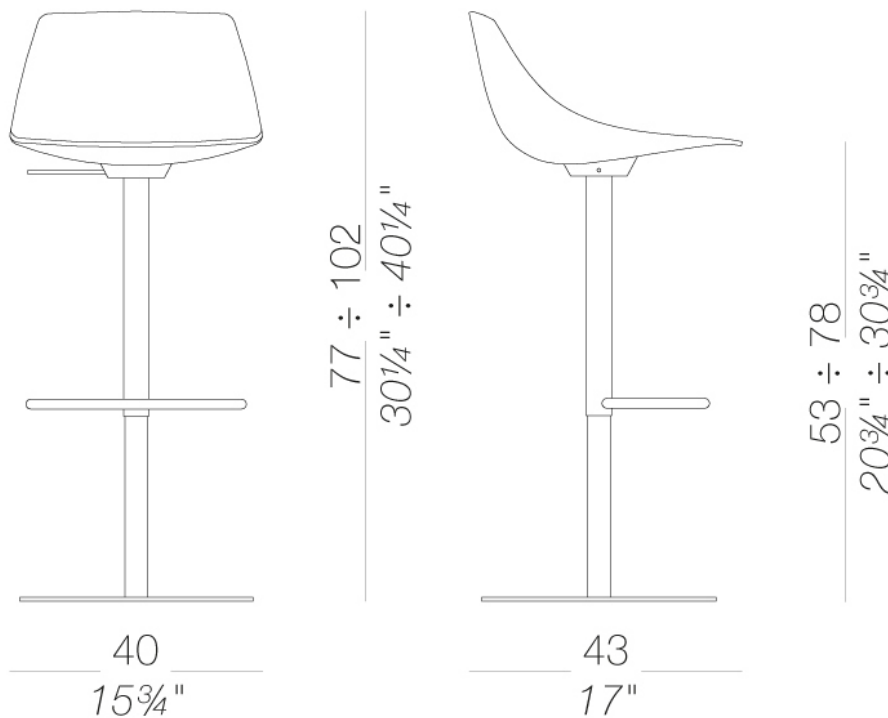
Karri Monni | 2011

## | S104T Height-adjustable piston stool with round base H53 ÷ 78

Stool with swivel seat and adjustable height. Frame in sandblasted stainless steel Aisi304 and round base covered by a stainless steel sheet "linen fabric" pattern or entirely powder coated. Seat formed of a single shell using 3D plywood moulding technology in several wood finishes, or in fire-retardant Baydur® polyurethane white or black lacquered or totally upholstered with fabric, leather or eco-leather. Felt under the base.

TEST EN 15373:2007 - L3 severe

TEST 1 IM - Hallingdal





# MIUNN

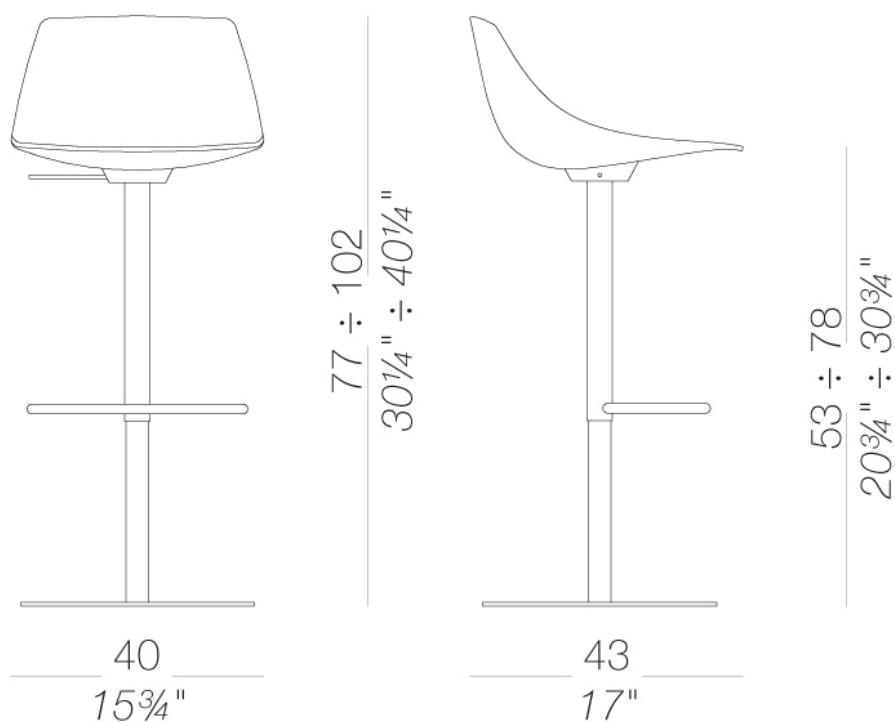
Karri Monni | 2011

## | S104 height-adjustable piston stool with square base H53 ÷ 78

Stool with swivel seat and adjustable height. Frame in sandblasted stainless steel Aisi304 and square base covered by a stainless steel sheet "linen fabric" pattern. Seat formed of a single shell using 3D plywood moulding technology in several wood finishes, or in fire-retardant Baydur® polyurethane white or black lacquered or totally upholstered with fabric, leather or eco-leather. Felt under the base.

TEST EN 15373:2007 - L3 severe

TEST 1 IM - Hallingdal



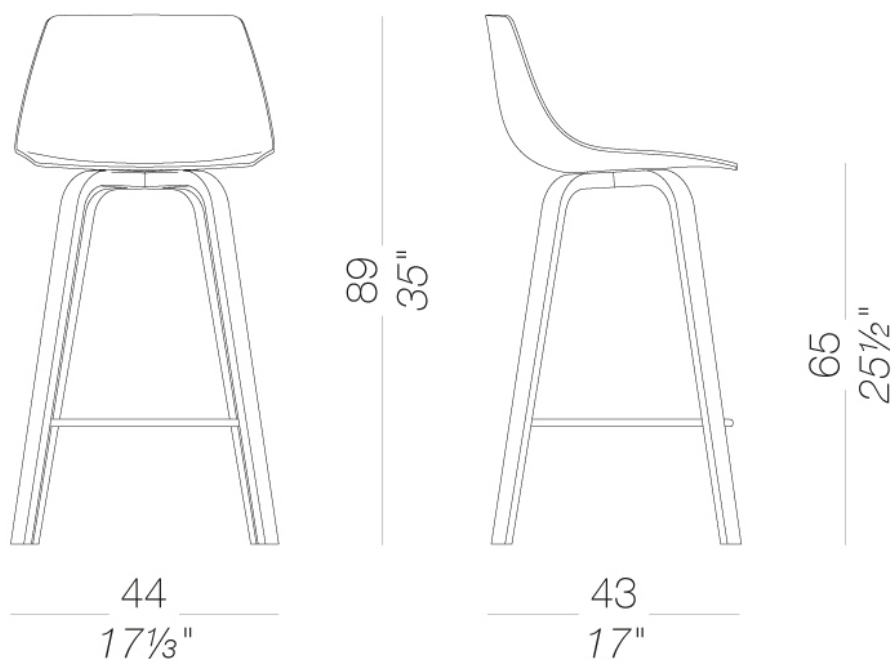
# MIUNN

Karri Monni | 2011

## | S105\_65 counter stool with wood legs H65

Stool h.65 cm. with legs in moulded plywood blached oak or black stained and foot rest in steel rod mat chromed. Seat formed of a single shell using 3D plywood moulding technology in several wood finishes, or in fire-retardant Baydur® polyurethane white or black lacquered or totally upholstered with fabric, leather or eco-leather. Feet in nylon with felt.

TEST 1 IM - Hallingdal



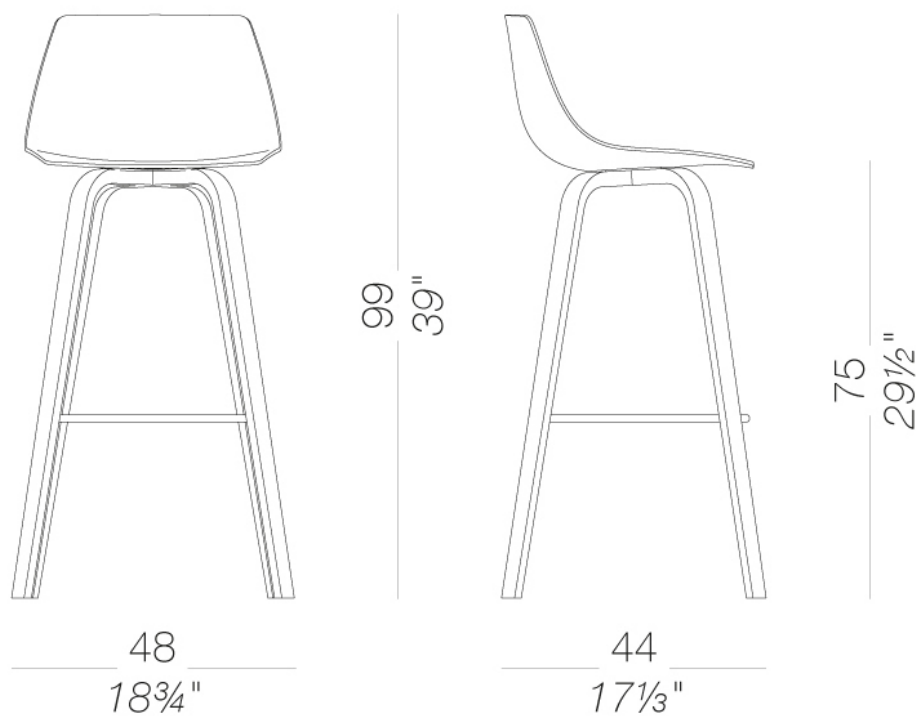
# MIUNN

Karri Monni | 2011

## | S105\_75 bar stool with wood legs H75

Stool h.75 cm. with legs in moulded plywood blanché oak or black stained and foot rest in steel rod mat chromed. Seat formed of a single shell using 3D plywood moulding technology in several wood finishes, or in fire-retardant Baydur® polyurethane white or black lacquered or totally upholstered with fabric, leather or eco-leather. Feet in nylon with felt.

TEST 1 IM - Hallingdal



# MIUNN

Karri Monni | 2011

## frame



wood  
blanché oak  
1 Colors



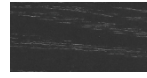
powder coating  
black  
1 Colors



metal  
stainless steel  
1 Colors



powder coating  
white  
1 Colors



wood  
black open pore  
1 Colors



metal  
mat chromed  
1 Colors



metal  
aluminium  
1 Colors

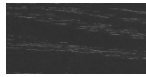
## shell



plastics  
Baydur®  
2 Colors



wood  
blanché oak  
1 Colors



wood  
black open pore  
1 Colors



wood  
oak dark walnut  
1 Colors



wood  
Canaletto walnut  
1 Colors

## upholstery

fabric

leather

ecoleather

**consult the portfolio for the range of colors, fabrics, eco-leather, soft-leather.**

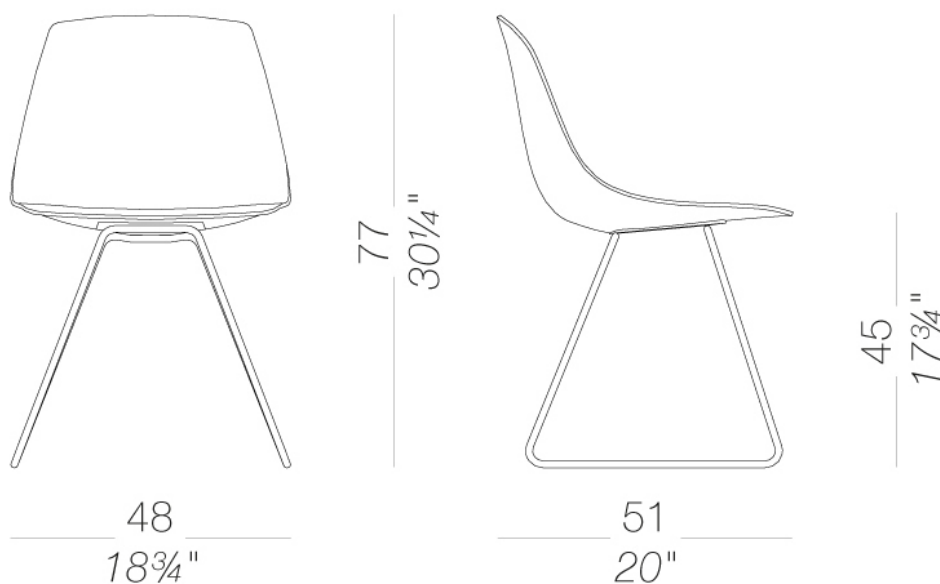
### use and maintenance instructions

Clean all parts in wood, leather, fabric and metal with a damp cloth or a diluted neutral cleaner. Do not use cleaners with alcohol, bleach, solvent or abrasive products. Any liquid spilt on the product must be wiped up immediately. When lifting or moving the product, hold it on the structure and not under the seat. The product should not be subjected to unbalanced weights, as it is designed for a proper rest on the foothold (on four legs or on the base). Our company relieves from any responsibility in case of damage caused to fragile floors. Avoid any improper use of the product: do not step on the product, on the footrest or on the armrests. Avoid any movements that could compromise the proper functionality of the product or the safety of the users. Wood and leather, being natural materials, could be easily damaged. Small impurities or imperfections are within quality standard range. Do not expose the product to weather conditions or atmospheric agents, nor to heat sources over 40°C. Also products for outdoor use could be afflicted by atmospheric agents. The product could undergo possible exterior changes due to particular exposure to heat, humidity and saltiness. An appropriate and frequent maintenance and cleaning of the product enhances its durability. The product could change colour and shade, if exposed to direct sunlight. Maintenance has to be carried out by experienced staff. Dispose of the package only after assembling the product, in order to avoid the loss of ironmongery and components. Once the product has been dismantled, the product itself or its components must be given to the public garbage disposal system, according to the legislation in force.

## ES160 | outdoor chair slide-frame base

Chair with sled base in stainless steel 304 sandblasted or polyester powder coated. Shell in Baydur® fire retardant polyurethane white or black lacquered. Glides in polythene. It is complemented by a stool in two heights.

TEST EN 1728:2012 AC:2013 6.17 - EN 16139:2013 - L2 extreme

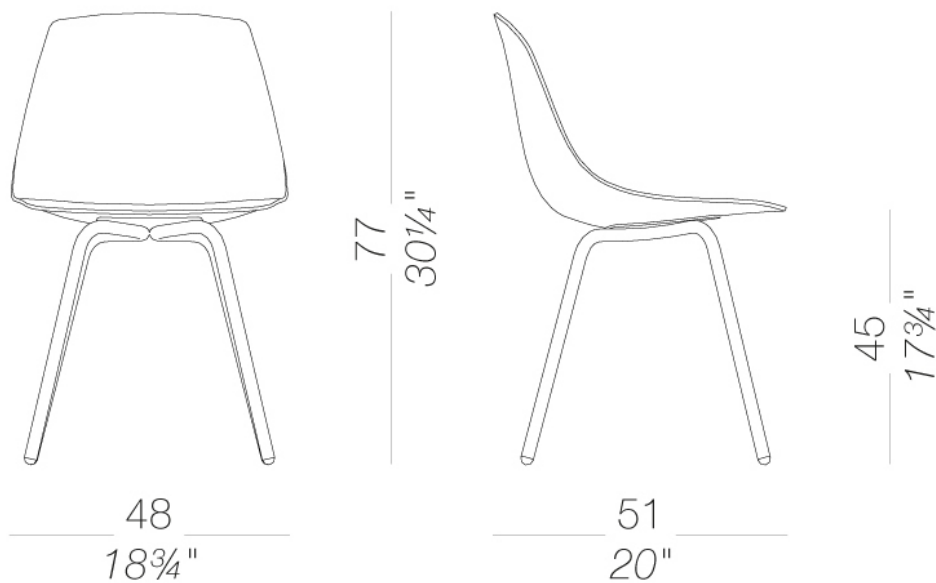


# MIUNN

Karri Monni | 2011

## ES161 | outdoor chair 4-legged ☀️

Chair with four legged base in stainless steel 304 or polyester powder coated. Shell in Baydur® fire retardant polyurethane white or black lacquered. Rounded glides in polythene. It is complemented by a stool in two heights.



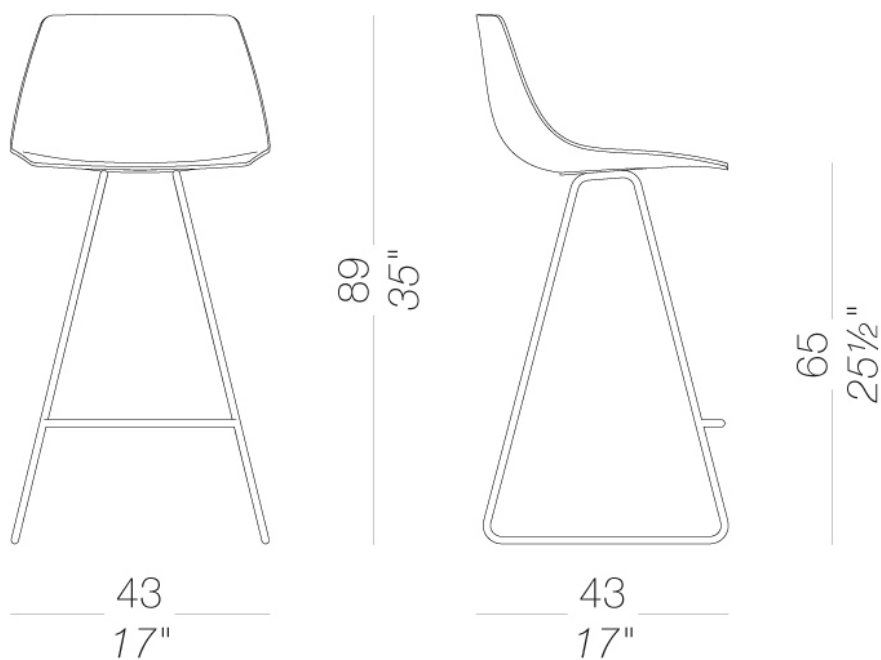
# MIUNN

Karri Monni | 2011

## ES104\_65 | outdoor stool with slide-frame base H65

Stool h.65 cm. with sled base in stainless steel rod 304 sandblasted or polyester powder coated. Seat formed of a single shell in fire-retardant Baydur® polyurethane white or black lacquered. Glides in polypropylene with insert in plastic.

TEST EN 1728:2012 AC:2013 6.4-6.5 - EN 16139:2013 - L2 extreme

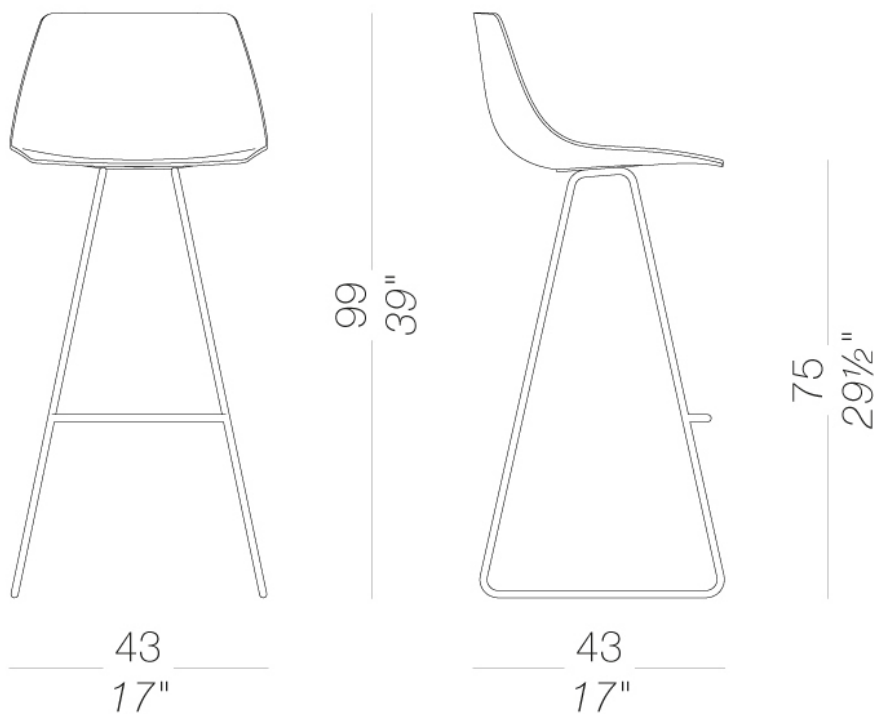


# MIUNN

Karri Monni | 2011

## ES104\_75 | outdoor bar stool with slide-frame base H75

Stool h.75 cm. with sled base in stainless steel rod 304 sandblasted or polyester powder coated. Seat formed of a single shell in fire-retardant Baydur® polyurethane white or black lacquered. Glides in polypropylene with insert in plastic.

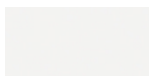




## frame



powder coating  
black  
1 Colors



powder coating  
white  
1 Colors

## shell



plastics  
Baydur®  
2 Colors

## consult the folder of materials for the range of colors

### use and maintenance instructions

Plastic materials, even if intended for outdoor use, may still be attacked over time by particular atmospheric pollutants (e.g. acid rain, high concentration of PM10, nitrogen oxides, hydrocarbons, etc.). Any changes in the surface and in colours may therefore occur under particular conditions of exposure and cannot be considered grounds for any claims.

Do not use detergents containing bleach, hydrochloric acid or products containing chloride on any metal parts. Salt, limescale or acid (from coffee, wine, orange juice, tomato juice, lemon, etc.) may discolour stainless steel parts if they are not promptly cleaned. Products or parts made of stainless steel used near the sea or in interior fittings of swimming pools require more frequent cleaning to remove chloride deposits and prevent corrosion and chemical attack of the external surface. Stains on stainless steel surfaces must be promptly cleaned. If left for a long time they can become permanent.

To prolong the life of the product, clean the surfaces regularly, dry them with a clean cloth and remove any stagnant water, especially if exposed in locations with a high level of humidity or a marine climate.

When not in use, we recommend storing in sheltered places and covering with waterproof protection. In this case, it is advisable to remove the cover and ventilate the product frequently and regularly to avoid the onset of any mould or stains due to damp.

THE WARRANTY WILL NOT COVER DEFECTS OR IMPERFECTIONS RESULTING FROM THE PASSAGE OF TIME OR TO WEAR AND TEAR DUE TO THE NORMAL USE OF THE PRODUCT.