



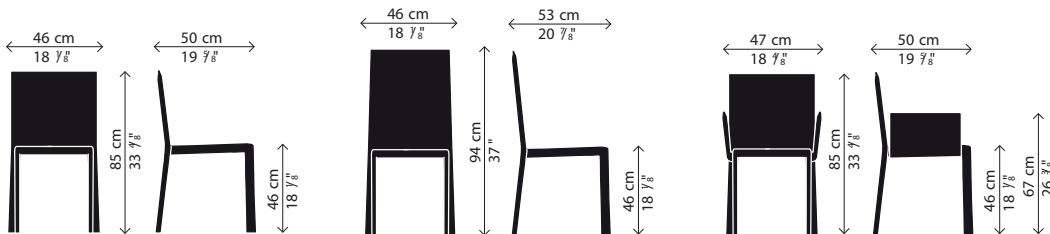
slim chair bluezone

The Slim leather chair possesses a clean, minimalist and very contemporary design which makes it a great match for any room of the house that is stylish and modern, from the office to the living-room, but also for hospitality businesses such as hotels, restaurants, pubs or bars. The upholstery covering the whole chair is made entirely of leather, which has been chosen and crafted with great attention in order to create a high-quality product that is both extremely attractive and comfortable. Available in different shades, from light or bright colours to dark tones, the chair also exists in three different versions. You can indeed choose to get one with or without armrests, but also with a high back. Timeless and resistant, this piece of furniture is sure to enhance your space for many years to come.

materials:

“cuoietto” hide

dimensions:



orange skin

223 west erie street,
chicago, il., 60610
t: 312 335 1033 f: 312 335 1025
info@orangeskin.com
www.orangeskin.com



slim stool bluezone

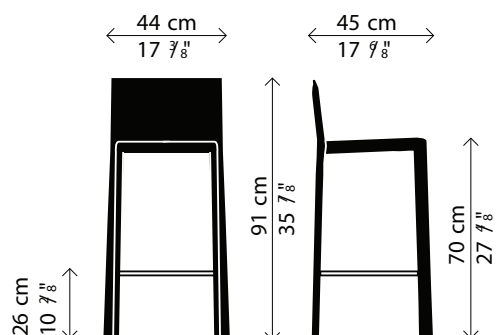
This leather stool embraces the minimalistic design mirrored by the equally clean cut Slim Chairs from the same range. Available in classic black only, the metal frame is fully covered in leather with a chromed metal footrest. Sleek, linear edges give this leather stool its slender yet strong appeal. The seat and low back are squared, giving the product balance and sense of stability the creates a commanding presence in any modern space.

materials:

finish of cover: "cuoietto" Hide

finish of footrest: polished chrome steel

dimensions:



223 west erie street,
chicago, il., 60610
t: 312 335 1033 f: 312 335 1025
info@orangeskin.com
www.orangeskin.com