



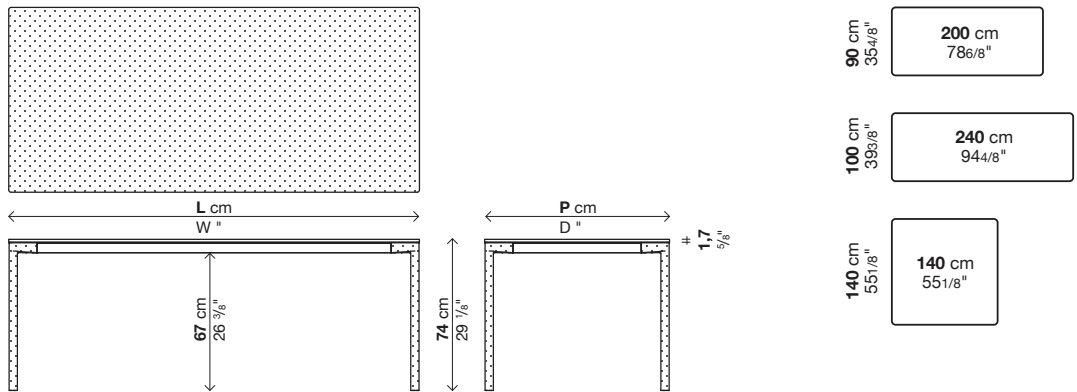
boiaccia lucidi pevere

In 2011, Kristalia accepted the challenge proposed by the designer duo LucidiPevere to develop a cement table. This led to the creation of Boiaccia, an award-winning product and a great success with critics and the public. It received a honourable mention at the Compasso d'Oro 2014 Awards. Meanwhile, Kristalia had already embarked on another challenge: to shift from the material quality of cement to the warm appeal of wood, with its Boiaccia Wood version. In fact, the legs are made of solid European oak or black oak, with a steel core: a product with high-quality technology and craftsmanship.

materials:

structure in aluminum anthracite grey lacquer.
 finish of legs/top: grey cement.

dimensions:



223 west erie street,
 chicago, il., 60654
 t: 312 335 1033 f: 312 335 1025
 info@orangeskin.com
 www.orangeskin.com



boiaccia wood lucidi pevere

In 2011, Kristalia embarked on a new challenge launched by the designers LucidiPevere: to design a cement table. In 2013, the table called Boiaccia is a new challenge: to switch from the material quality of cement to the natural quality of wood. The table called Boiaccia Wood has legs in solid European oak wood, internally reinforced with a steel core. The top is available in Pure-white laminate or black Fenix-NTM® with a soft-touch effect. It has a black or white epoxy lacquered aluminium frame just like the top. This new challenge for Kristalia, in partnership with the designer duo LucidiPevere, has led to the creation of an elegant and minimalist object.

materials:

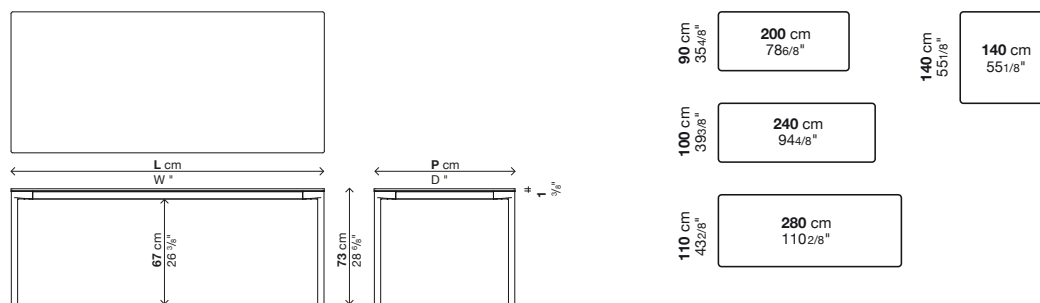
legs in:

solid European or walnut stained oak
solid black oak or grey cement.

top:

pure-white laminate
Ingo black Fenix, Fenix with colored edge (Kos white, London grey)

dimensions:



223 west erie street,
chicago, il., 60654
t: 312 335 1033 f: 312 335 1025
info@orangeskin.com
www.orangeskin.com