

holo Kensaku Oshiro

The combination of Kristalia's technology with Kensaku Oshiro's creativity has led to Holo: a table featuring an original base and an oval hole, with a softly moulded shape in sheet metal, made using a process that involves many moulding and bending phases. This original base supports a Fenix-NTM® top with a matt anti-reflective effect that gives the surface of this material warm appeal and a soft touch.

material & dimensions:

Central Base:

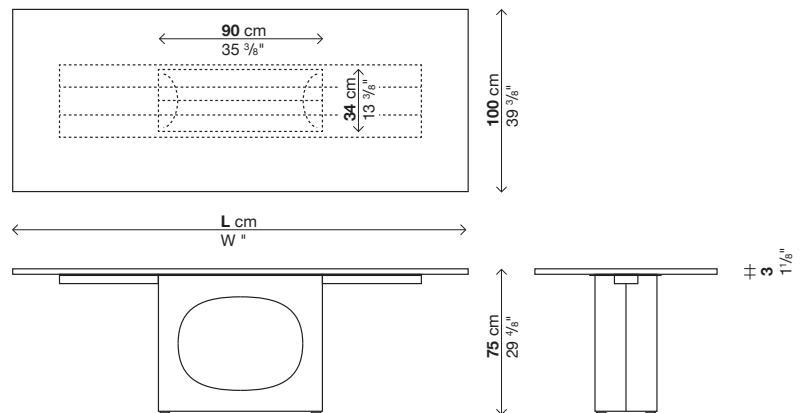
86-1/2" x 39-3/8" x 29-1/2" H
 98-1/2" x 39-3/8" x 29-1/2" H
 110-1/4" x 39-3/8" x 29-1/2" H

Top finishes:

Kos white 0032 Fenix-NTM®
 London grey 0718 Fenix-NTM®
 Ingo black 0720 Fenix-NTM®
 Brushed European solid oak
 Brushed black solid oak
 Solid American walnut wood

Base finishes:

White lacquered steel (similar to RAL 9016)
 "Fenix-NTM® London grey" lacquered steel
 Black lacquered steel (similar to RAL 9004)
 Brass



material & dimensions:

Central Base with Glass Top:

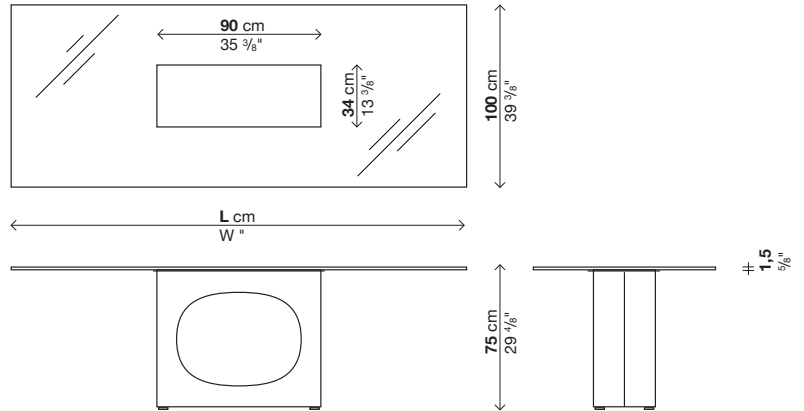
86-1/2" x 39-3/8" x 29-1/2" H
 98-1/2" x 39-3/8" x 29-1/2" H
 110-1/4" x 39-3/8" x 29-1/2" H

Top finishes:

Transparent extra light glass

Base finishes:

White lacquered steel (similar to RAL 9016)
 "Fenix-NTM® London grey" lacquered steel
 Black lacquered steel (similar to RAL 9004)
 Brass



Double Base:

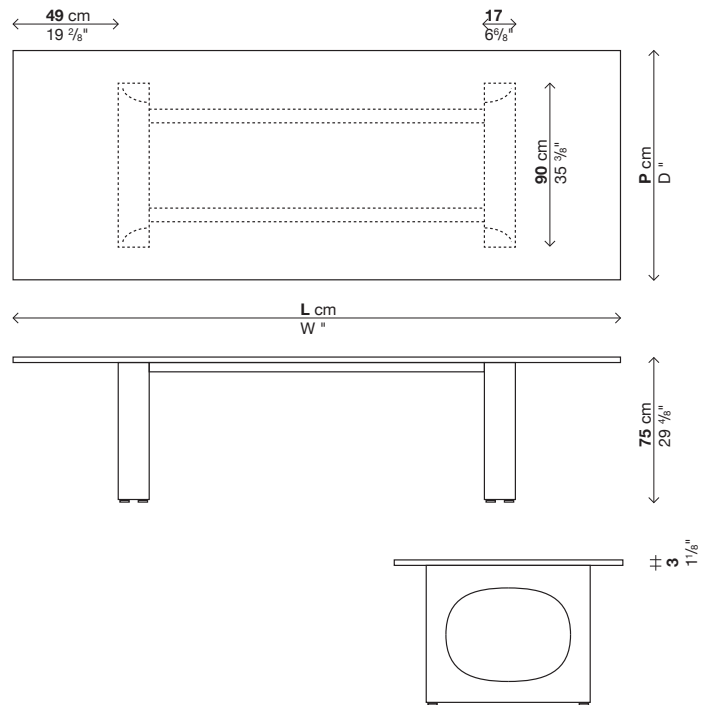
126" x 47-1/4" x 29-1/2" H
 141-3/4" x 53-1/8" x 29-1/2" H

Top finishes:

Kos white 0032 Fenix-NTM®
 London grey 0718 Fenix-NTM®
 Ingo black 0720 Fenix-NTM®

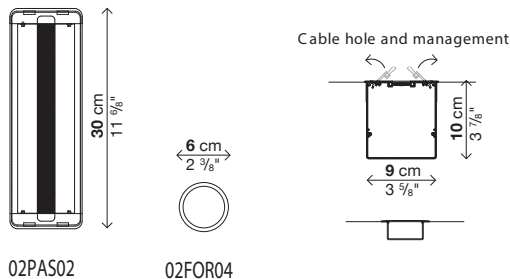
Base finishes:

White lacquered steel (similar to RAL 9016)
 "Fenix-NTM® London grey" lacquered steel
 Black lacquered steel (similar to RAL 9004)



Optional:

Rectangular cable hole
 round cable hole
 plastic cable mesh
 vertebra, opal white methacrylate



Occasional table:

Base finishes:

White lacquered steel (similar to RAL 9016)
 "Fenix-NTM® London grey" lacquered steel
 Black lacquered steel (similar to RAL 9004)
 Brass

Top finishes:

Transparent extra light glass or transparent coloured glass

