



siena simone bonanni

A small padded armchair with generous dimensions and a soft, reassuring silhouette. The excess fabric confers a sense of movement to the surface and highlights the sense of comfort and conviviality. Given its look, volumes and ergonomics, this product is timeless and adapts perfectly to new scenarios. The piece has unique details, which simply mark the high-quality construction and craftsmanship: the double seam on the backrest highlights shape and tension; The comb joints connect the legs to the wood bases, enhancing the care and manual expertise of solid-wood working; An elliptical steel tubing inclined to 45°, a synonymous of technical expertise and advanced production.

Materials:

FRAME: MATT PAINT FINISH



white
X053



bronze
X100



black nickel
X101



petrol blue
X125



olive green
X126



orange
X127

FRAME: ASHWOOD FINISH



natural



bleached



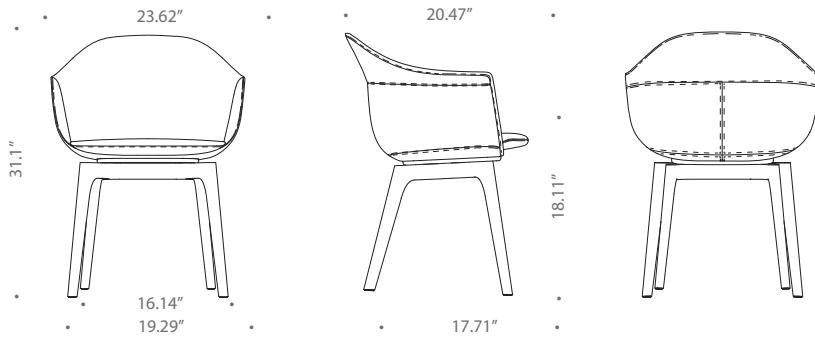
brown

orange skin

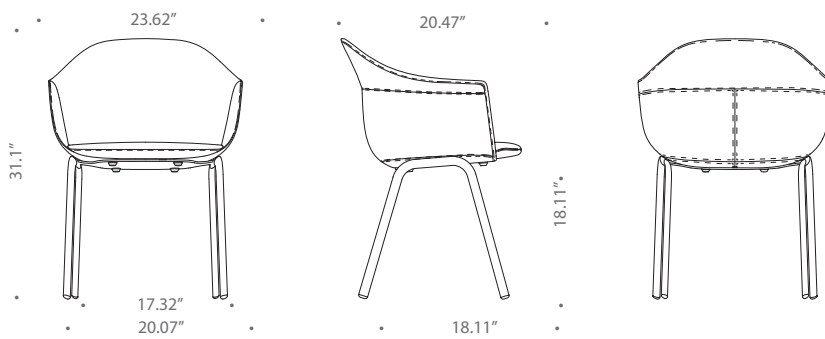
223 west erie street,
chicago, il., 60654
t: 312 335 1033 f: 312 335 1025
info@orangeskin.com
www.orangeskin.com

Dimensions:

four ashwood legs



four metal legs



rocker

