



sign filo piergiorgio cazzaniga

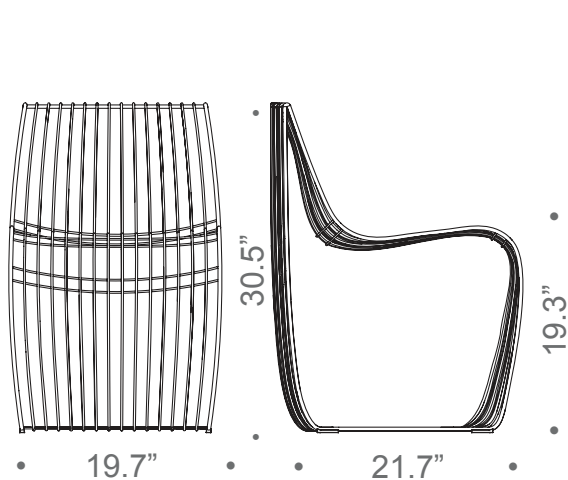
The new Sign Filo is a perfect combination of design and craftsmanship and it is built up like a refined jewel. In fact the creative process of this chair reminds the ancient goldsmith's technique of filigree that is carried out by interweaving and welding thin wires of precious metals. Forty-five meters of steel wire in four different diameters, draw Sign Filo's silhouette. The artisan component is anything but secondary, in the assembly and galvanising phases in the colours black chrome, gold, and pink gold which highlight the uniqueness and care dedicated to each element, as if it were an actual piece of jewellery.

materials:

The load-bearing structure is in steel wire, in different diameters, available in a glossy galvanic finish in black chrome, gold and pink gold.

dimensions:

W 19.7" x D 21.7" x H 30.5"
 Seat Height: 19.3"



FRAME FINISH

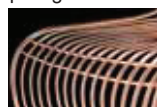
black chrome



gold chrome



pink gold chrome

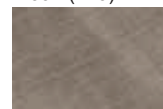


Cushions with silk covers, colours matched to the structures. Covers are completely removable.



FABRIC DELHI (G)

R397 (140)



R820 (111)



R821 (153)

