



desk 3.0 bruno fattorini + francesco bettoni

A family of monochrome workstations available in two versions: single desktop with cable management top, or double version with cable management top.

materials:

frame and legs are in epoxy coated aluminium, available in white or graphite grey colors. tops are made from HPL, a high pressure laminate with structural aluminium sheets inside. Available in black or white according to frame color

dimensions:

height 29.5"

Single

31.5"x63"

31.5"x70.9"

31.5"x78.7"

31.5"x86.6"

35.4"x63"

35.4"x70.9"

35.4"x78.7"

35.4"x86.6"

Double

70.9"x63"

70.9"x70.9"

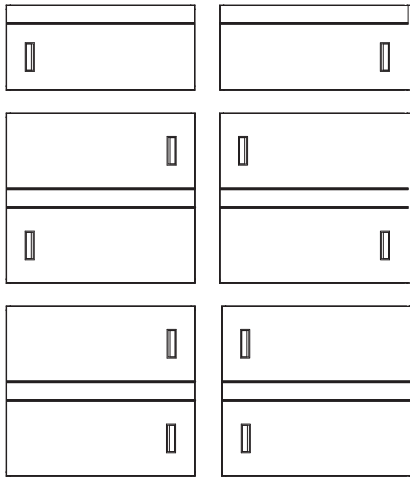
70.9"x78.7"

70.9"x86.6"

70.9"x126"

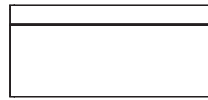
custom sizes are available at extra cost and longer lead time

dimensions:



Configurations

SINGLE DESKS

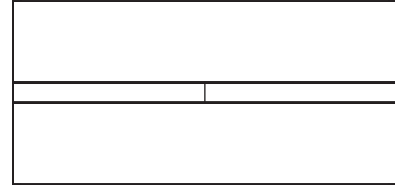


with cable management top

DESKS WITH FRONT SEATS

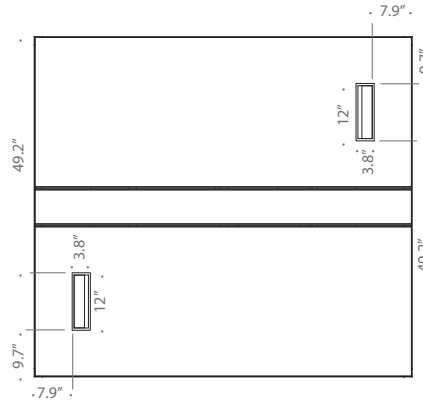
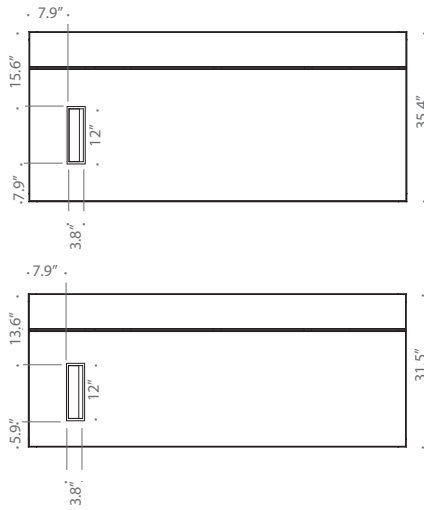


with cable management top

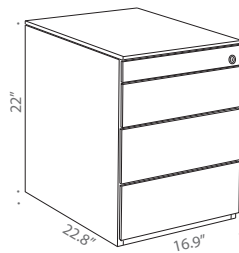
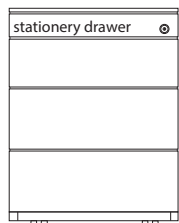


with two cable management tops

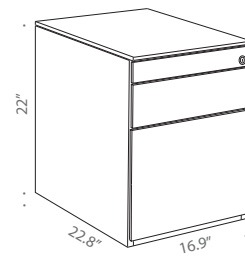
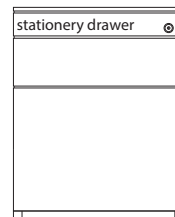
Cable management door position



CHESTS OF DRAWERS CONTRACT



THREE DRAWERS + stationery drawer



DRAWER + FILING UNIT + stationery drawer